

Technical Manual

JBL4430 L,R STUDIO MONITOR



SPECIFICATIONS

ACOUSTIC & ELECTRICAL SPECIFICATIONS:

- Nominal Impedance: 8 ohm
- Power Rating: 300W, Pink Noise
- Frequency Response: 35 Hz to 16 kHz (± 3 dB)
- Sensitivity: 93 dB SPL*
- Crossover Frequencies: 1 kHz

SYSTEM COMPONENTS:

- Cabinet: C4430
- Grille: 61381
- Low Frequency Transducer: 380mm (15 in.) Cone Transducer (2235H)
- DC Resistance: 6.0 ohm $\pm 10\%$ — Aluminum Wire
- High Frequency Transducer: 44mm (1.75 in.) Pure Titanium Compression Driver (2426H)
- DC Resistance: 3.2 ohm $\pm 8\%$ — Aluminum Wire
- Crossover Network: 61449P 2 Way System

AURAL SWEEP TEST SPECIFICATIONS:

- A. System Aural Sweep Test: 7.0V Input, 20 Hz to 20 kHz
- B. L.F. Aural Sweep Test: 10.0V Input, 20 Hz to 1.2 kHz
- C. H.F. Aural Sweep Test: 2.83V Input, 550 Hz to 20 kHz

PHYSICAL SPECIFICATIONS:

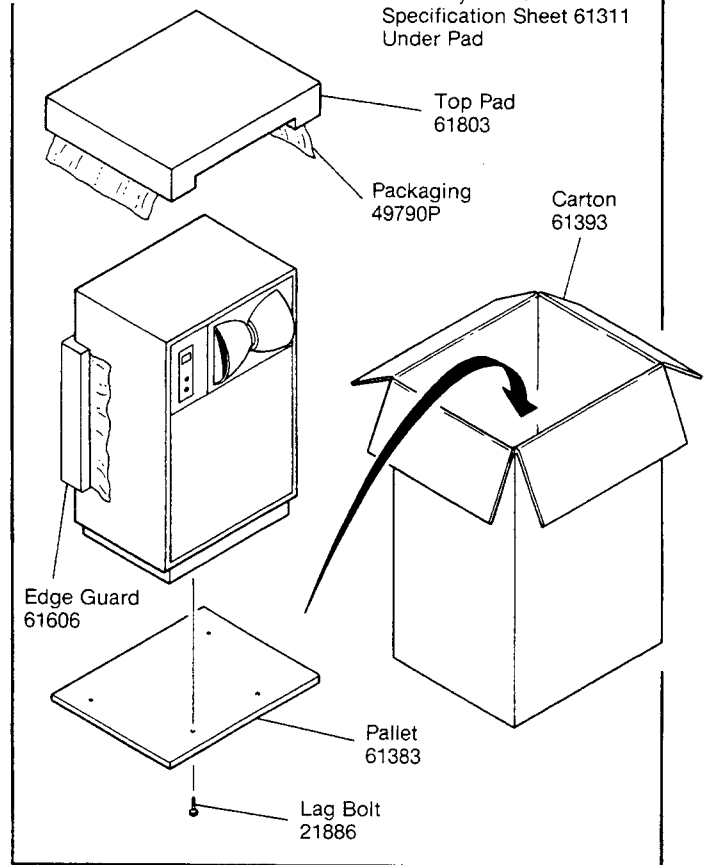
- Enclosure Dimensions: 908mm x 556mm x 400mm D (35.75 x 21.87 x 15.75 in. D)
- Shipping Weight: 175 lbs. (79.4 kg)

WARRANTY INFORMATION:

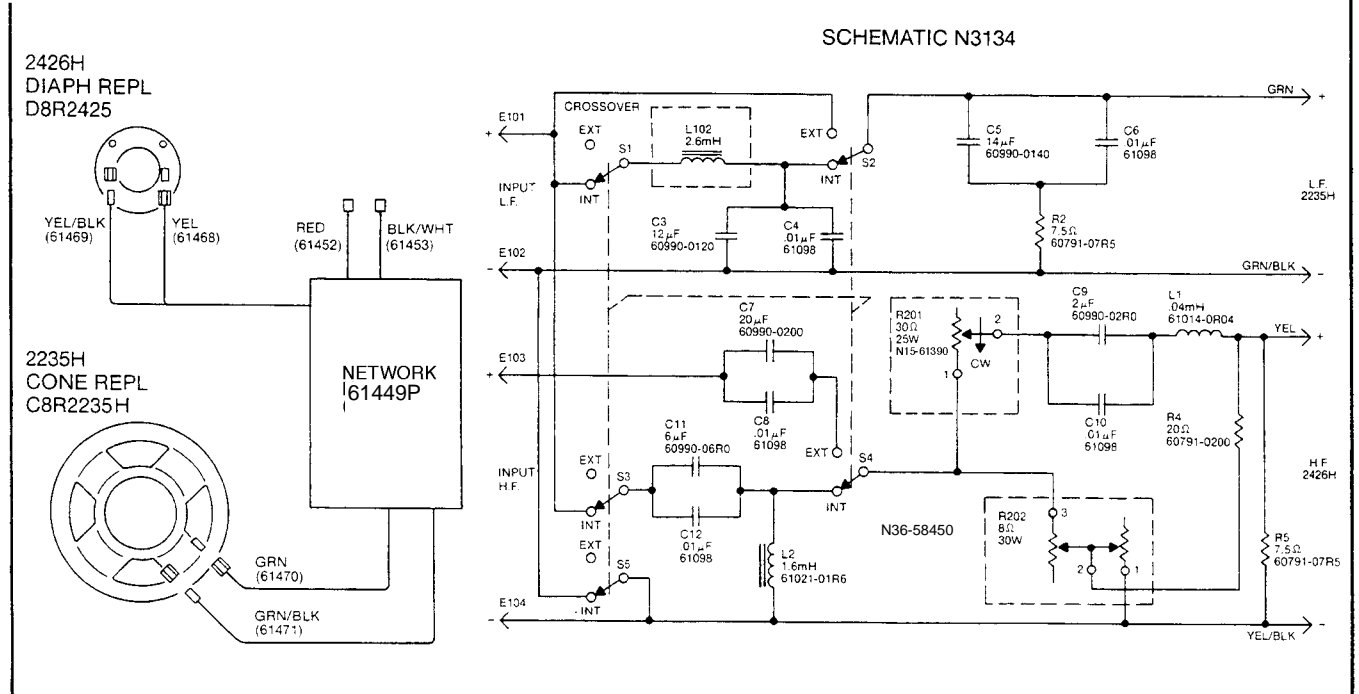
- Refer to the Warranty Statement packed with each product.

*1 Watt (2.83 V RMS) @ 1 Meter

PACKAGE



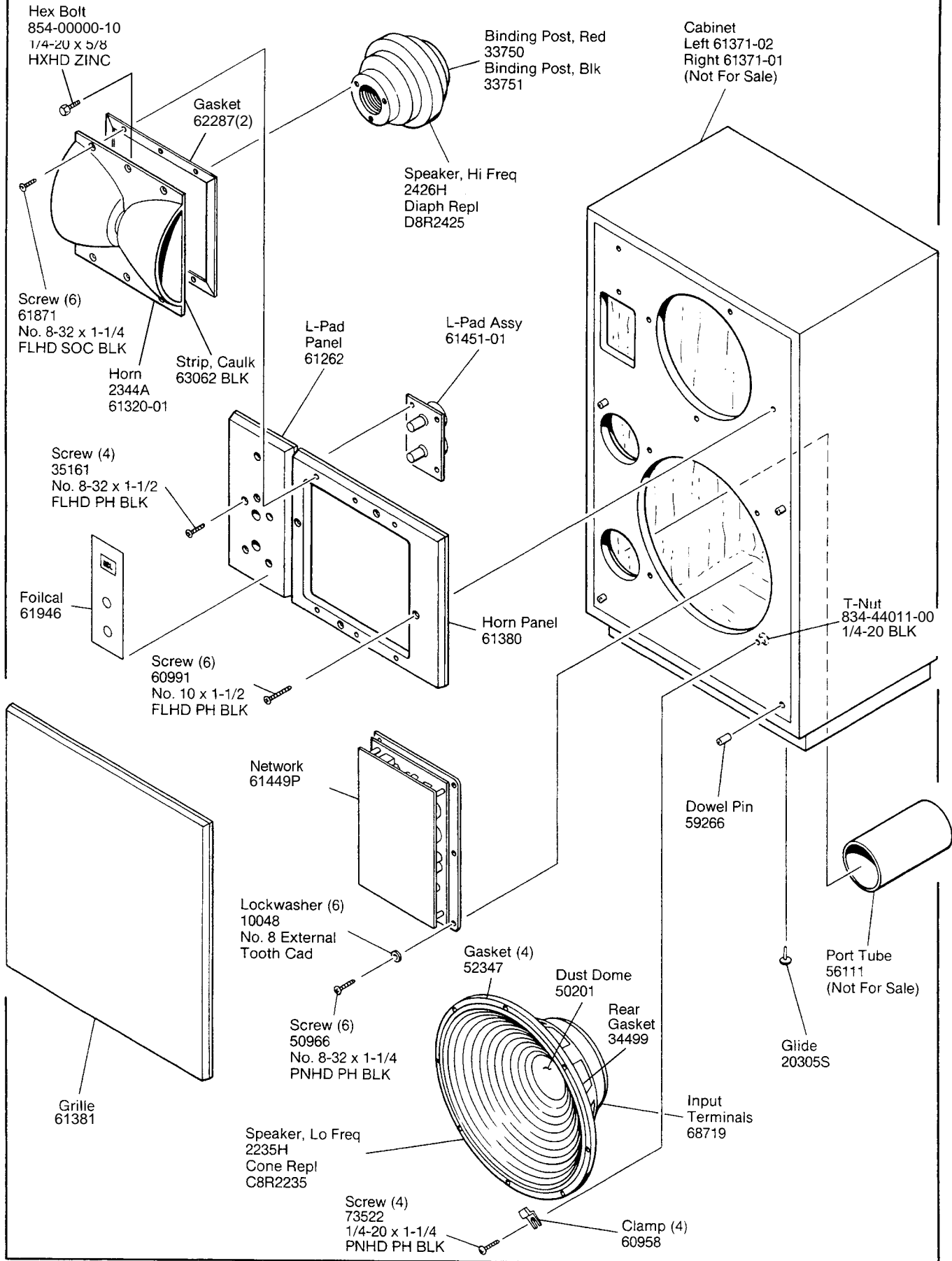
WIRING DIAGRAM



JBL4430 L,R REV H

JBL4430 L,R

COMPONENT EXPLODED VIEW



JBL4430 L,R