

Technical Manual

JBL4691B HIGH-LEVEL PLAYBACK/ REINFORCEMENT



SPECIFICATIONS

ACOUSTIC & ELECTRICAL SPECIFICATIONS:

- Nominal Impedance: 8 ohm
- Power Capacity: Continuous Pink Noise: 200W
Continuous Pink Noise: 400W
- Frequency Range: 40 Hz to 20 kHz (-10 dB)
- Sensitivity: 103 dB SPL*
- Crossover Frequencies: 1.5 kHz

SYSTEM COMPONENTS:

- Cabinet: C4691B
- Grille: G4691B
- Low Frequency Transducer: 380mm (15 in.) Cone Transducer (E140-8)
- DC Resistance: 5.5 ohm ±10% Copper Wire

SYSTEM COMPONENTS: (cont'd)

- High Frequency Transducer: 25mm (1 in.) Pure Titanium Diaphragm Compression Driver (2426J)
- DC Resistance: 6.2 ohm ±8% Aluminum Wire
- Crossover Network: N4691B (63371-0060)

AURAL SWEEP TEST SPECIFICATIONS:

- A. System Aural Sweep Test: 7.0V Input, 20 Hz to 20 kHz
- B. L.F. Aural Sweep Test: 7.0V Input, 20 Hz to 1.2 kHz
- C. H.F. Aural Sweep Test: 2.83V Input, 550 kHz to 1.2 kHz

PHYSICAL SPECIFICATIONS:

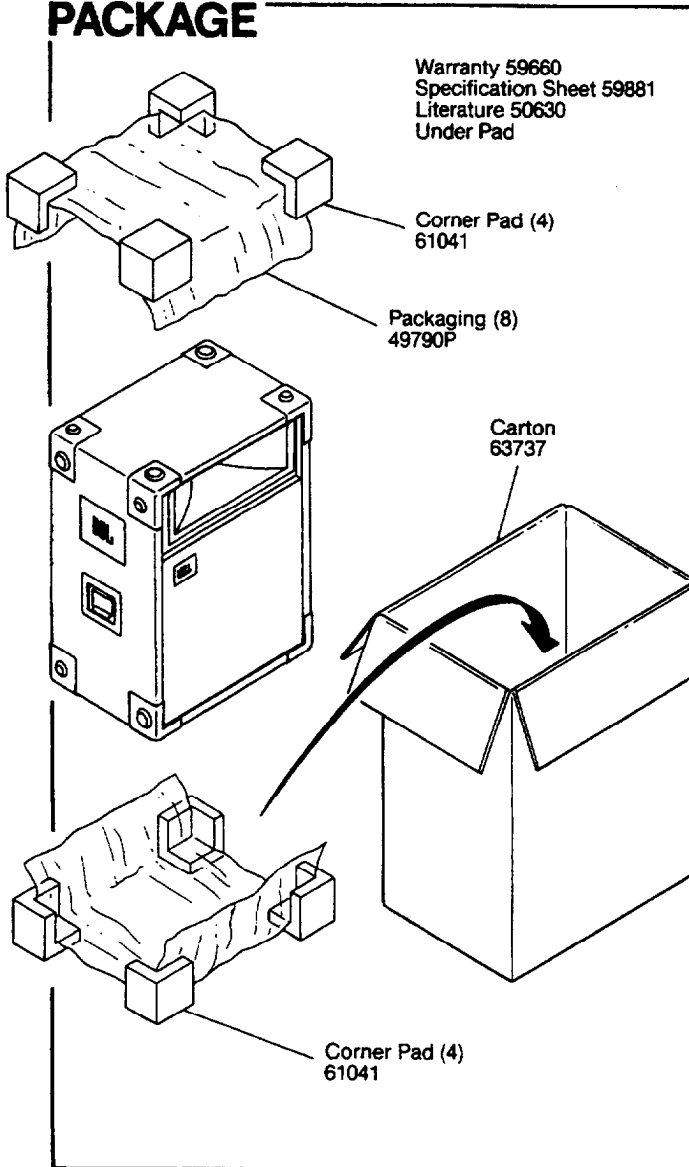
- Enclosure Dimensions: 767mm x 512mm x 478mm D (30.18 x 20.12 x 18.81 in. D)
- Shipping Weight: 109 lbs. (49.4 kg.)

WARRANTY INFORMATION:

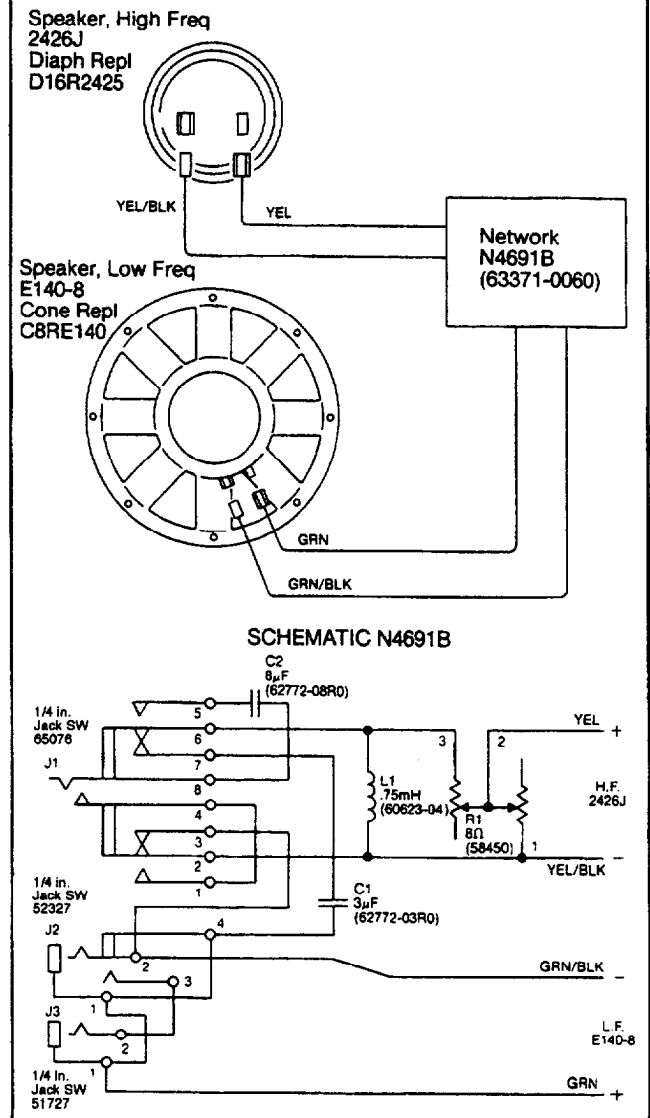
- Refer to the Warranty Statement packed with each product.

*1 Watt (2.83 V RMS) @ 1 Meter

PACKAGE

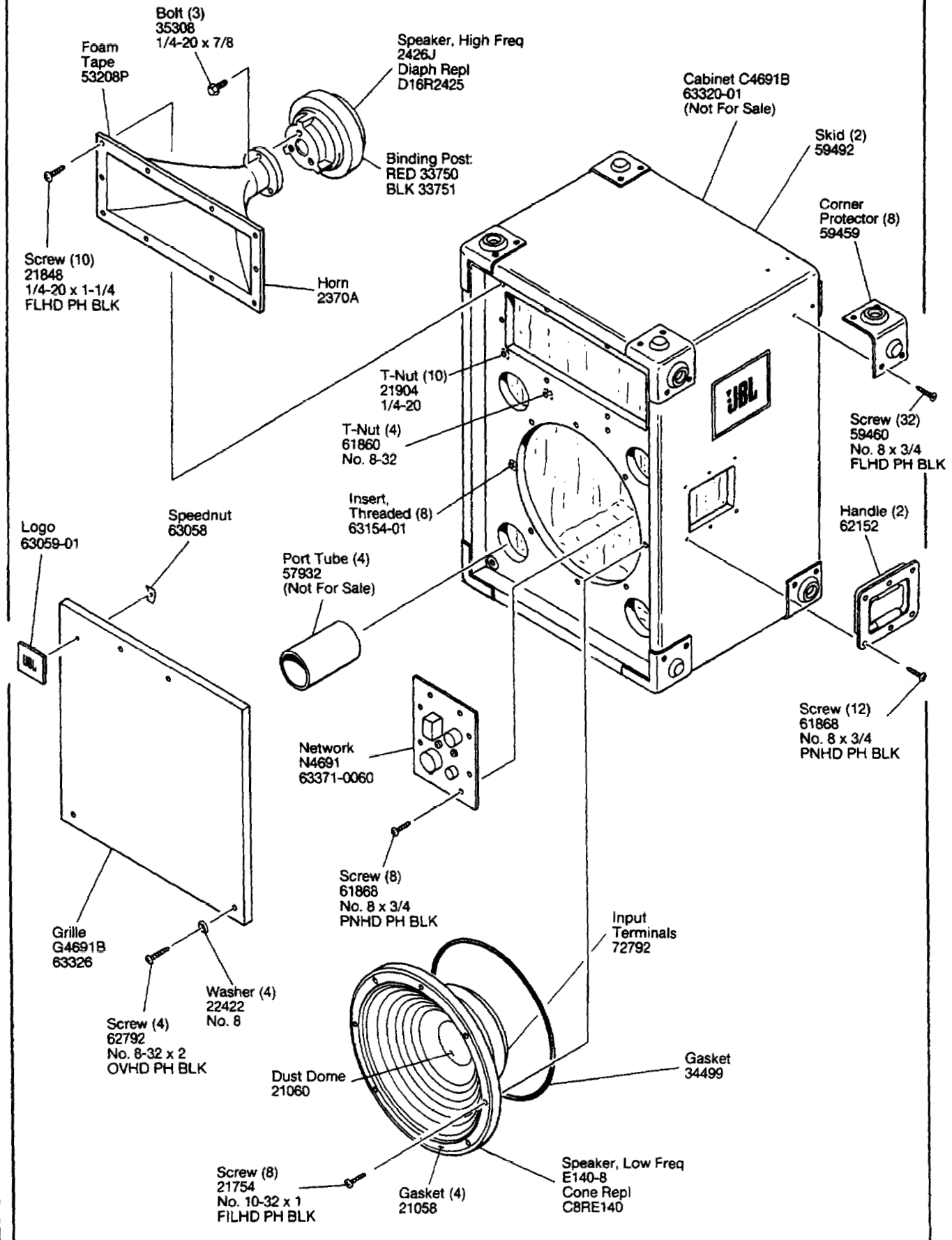


WIRING DIAGRAM



JBL4691B

COMPONENT EXPLODED VIEW



JBL4691B