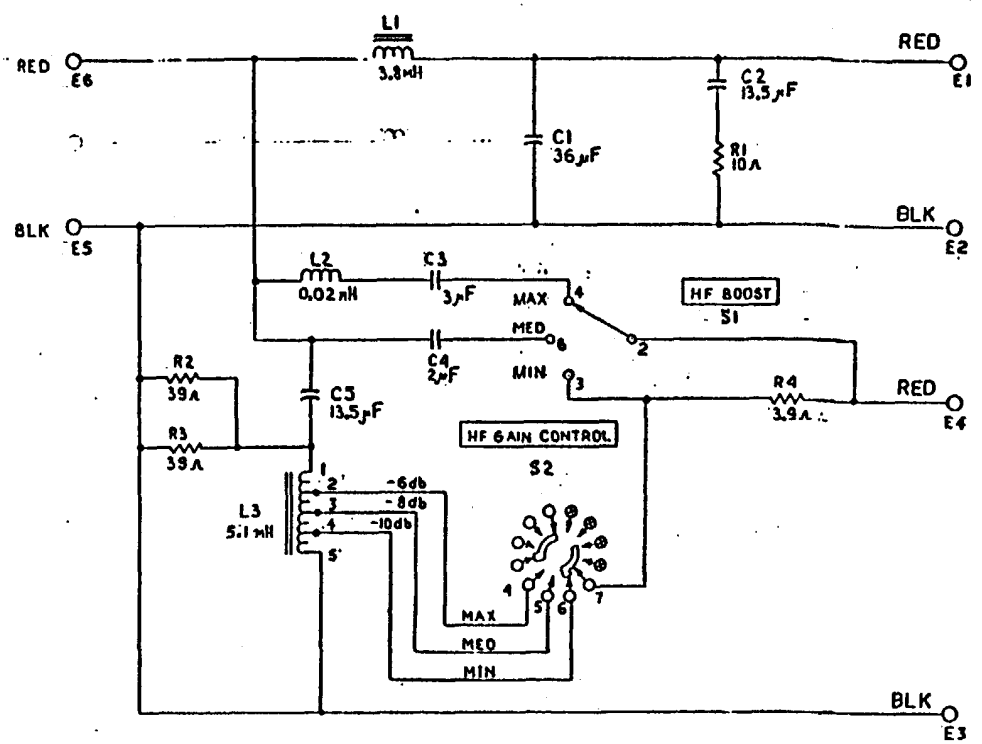


THESE DRAWINGS AND SPECIFICATIONS ARE THE PROPERTY OF JAMES B. LANSING SOUND INC. THEY ARE ISSUED IN STRICT CONFIDENCE AND SHALL NOT BE REPRODUCED EITHER OR USED AS THE BASIS FOR MANUFACTURE OR SALE OF APPARATUS WITHOUT WRITTEN PERMISSION.

REVISIONS						
CHG	NO	DESCRIPTION	DRFT	CHK	DATE	APPR
N-0259	1	RELEASE FOR PRODUCTION		Subl. Sjt	11/14/62	DS Gjt



LIF

- C1-62772-0360
- C2-62772-13R5
- C3-62772-03R0
- C4-60990-02R0
- C5-62772-13R5

- L1-62623
- L2-62629-01
- L3-62626

- R1-34751
- R2-60791-0390
- R3-60791-0390
- R4-60791-03R9

HIF

FILE COPY

N3115A

62615-01

1. CROSSOVER FREQ 500 Hz.

NOTES:

ITEM	PART NO.	DESCRIPTION	QTY	REMARKS
BILL OF MATERIAL				
LIMITS AND TOLERANCES ARE IN ACCORDANCE WITH MIL-STD-203 (REV. 10-64) UNLESS OTHERWISE SPECIFIED		DRAWN BY: <i>[Signature]</i>		
TOLERANCES (UNLESS OTHERWISE SPECIFIED) ARE:		CHECKED BY: <i>[Signature]</i>		
RESISTORS: ±1%		DESIGNED BY: <i>[Signature]</i>		
CAPACITORS: ±5%		DATE: 11/14/62		
INDUCTORS: ±5%		SCALE: A2		
DIMENSIONS: ±0.005"		DRAWING NO. N3115A		
MATERIALS: AS SPECIFIED		REV. A		
DATE OF THIS DRAWING: 11/14/62		SCALE: 1		
DATE OF LAST REVISION: 11/14/62		SHEET 1 OF 1		

JAMES B. LANSING SOUND, INC.
 11500 Wilshire Blvd., Suite 100
 Los Angeles, California 90025 U.S.A.

SCHEMATIC, 3115A